

ERATBOX SMALL WALL MOUNT



erat

ERATBOX SMALL WALL MOUNT



	H 150 mm
	W 150 mm
	D 55 mm

	Available Colors:
	Light Grey (RAL7035)
	Black (RAL9005)

	Weight
	Net 0,8 kg
	Gross 1,1 kg

Product Overview

The EratBox's Small Fiber Termination Patch/Splice Box is designed for use as a wall mount interconnect point where termination and connectivity of up to 24 fibers is desired. This solution allows easy access to patch cords and pigtails after opening the hinged cassette tray. Standard boxes are available empty for complete field configuration, half-loaded with adaptor plates for field termination and cable assembly installation, or stubbed with a factory-installed cable assembly of a user specified length.

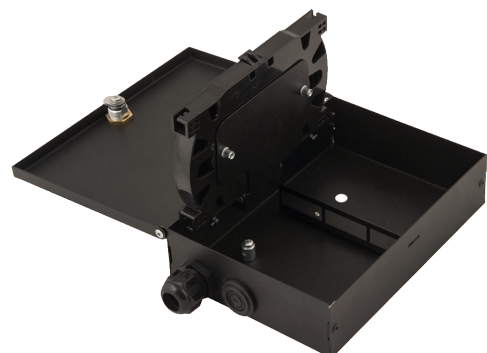


Features

- Fits comfortably into new and existing interconnect, cross-connect, customer premise, and co-location environments
- Most common connector styles and types available
- Compatible with industry standard equipment frames
- Single door with tube-style keyed lock for flexibility and security
- Optional magnetic lock
- Optional splice tray kit for on site conversion to patch and splice panel

Specifications

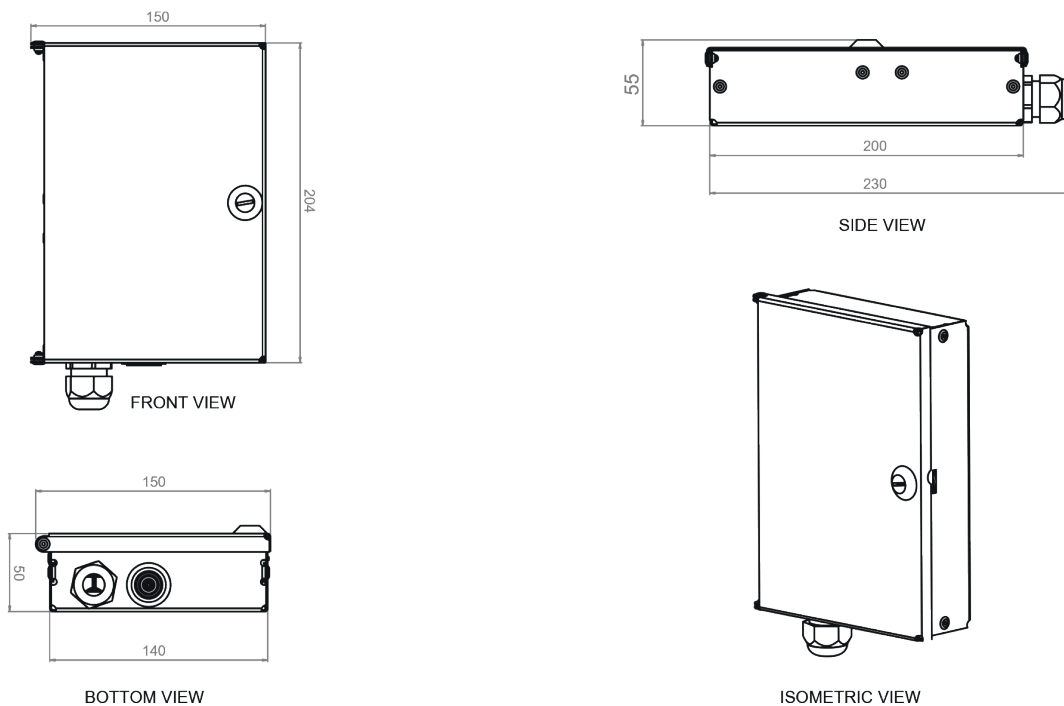
- Cold rolled steel
- Durable textured powder coat finish available in black or white
- Easy changeable adaptor plates
- Standard density: up to 12 fiber, High density: up to 24 fiber
- Standard cable stub location is bottom
- Optional splice trays for splitters



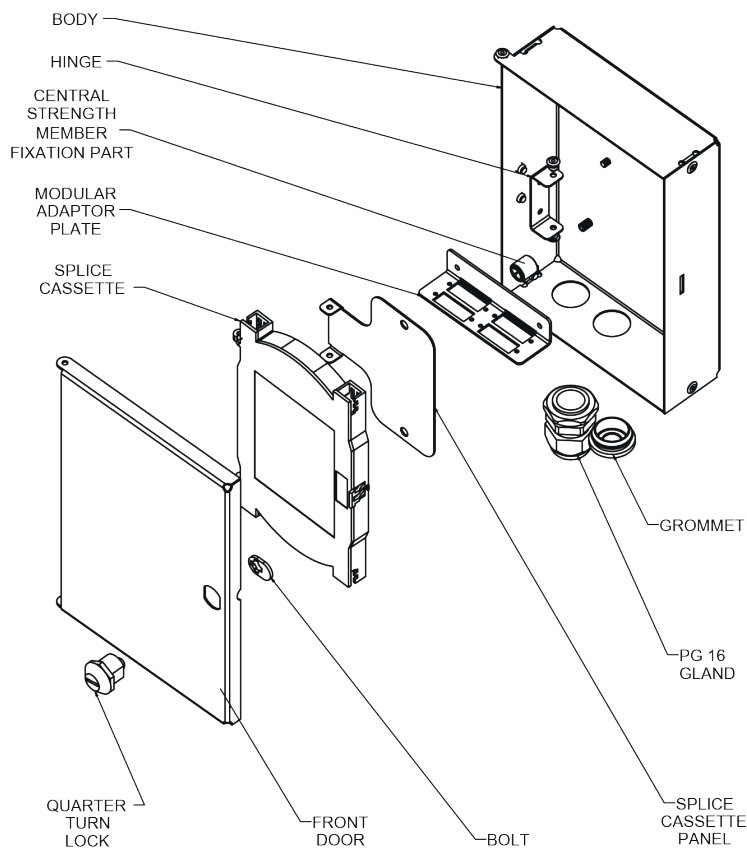
ERATBOX SMALL WALL MOUNT



Dimensions

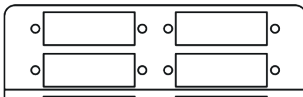
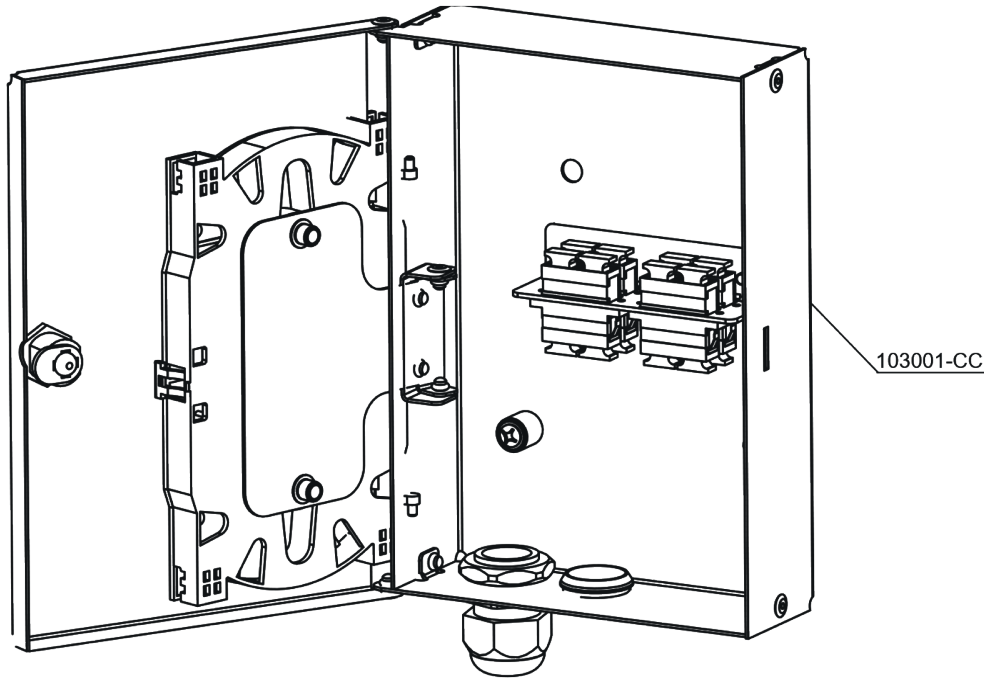


Exploded View

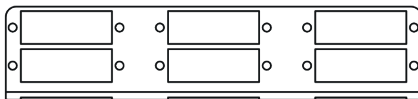


Product Definition

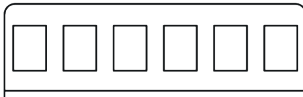
EratBox Small Fibre Optic Termination Box-Single Door with Tube-Style Keyed Lock without Adaptor Plate, Colour: Black- RAL9005 or Light Grey-RAL7035, (1pcs. PG16 Plastic Gland and 1pcs. Grommet, 1pcs. 50cm Spiral Wrap, 4pcs. 2,5mmX10 Cable Ties)



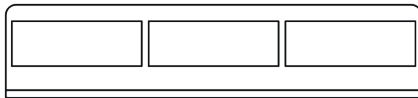
4 SC Duplex or 4 LC Quad Horizontal Adaptor Plate



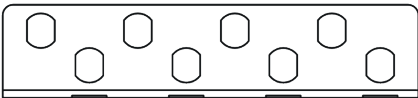
6 SC Duplex or 6 LC Quad Horizontal Adaptor Plate



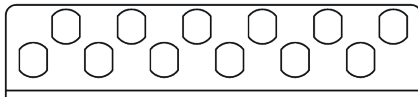
6 LC Duplex or 6 E2000 Simplex or 6 SC Simplex Adaptor Plate



12 LC Duplex or 12 E2000 Simplex or 12 SC Simplex Adaptor Plate



8 ST or 8 FC (D-hole) Adaptor Plate



12 ST or 12 FC (D-hole) Adaptor Plate

EratBox Medium Adaptor Plate Options

4 SC Duplex or 4 LC Quad Horizontal Adaptor Plate

6 SC Duplex or 6 LC Quad Horizontal Adaptor Plate

6 LC Duplex or 6 E2000 Simplex or 6 SC Simplex Adaptor Plate

12 LC Duplex or 12 E2000 Simplex or 12 SC Simplex Adaptor Plate 8 ST or 8 FC (D-hole) Adaptor Plate

12 ST or 12 FC (D-hole) Adaptor Plate

Ordering Information

* CC=LG for Light Grey RAL 7035 & BL for Black RAL 9005 for customers to define while ordering