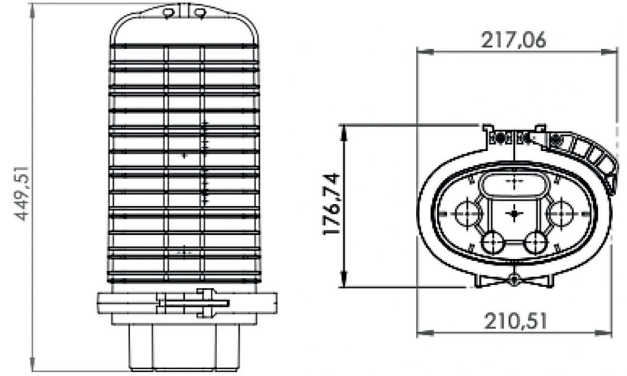


## Fiber Optic Splice Box - TYPE-3



### Applications

Fiber optic splice box is commonly used to splice and branch optical cable fibers in overhead and directly buried applications. Attachment Box has a simple internal structure. The Splice Box is designed to be easy to install, easy to open and close, pressure resistant and water tight. No special training is required for box assembly.

The box is long lasting and made of high quality plastic with anti-UV materials. It is an additional box with high quality and long service life.

12 fiber splices can be made in each splice cassette, and up to 72 ports can be spliced in a splice box with a maximum of 6 Cassette .

### FIBER OPTIC SPLICE BOX PRODUCT FEATURES

#### Domed TYPE Fiber Optic Splice Box

<b>Material</b>	Box dome + main body : Polypropylene(PP) Clamp : Polyamide(PA) Fiber October Tapes : ABS
<b>Applicable Cable Diameters (mm)</b>	Oval liman: Ø10 -Ø25 6 yuvarlak liman: Ø6 - Ø25
<b>Number of ports</b>	1 oval port + 4 round ports = 6 inputs
<b>Maximum attachment capacity in the cassette</b>	12 fibers (single fiber fiber)
<b>Maximum capacity of FO Splicer Box</b>	72 fibers (single fiber fiber)
<b>Sealing Type</b>	(October-Dec-68) Heat Shrink Hose is provided between the FO Attachment Box and the Cable ports.
<b>Dimensions (mm)</b>	535x diameter 271 mm
<b>Weight (kg)</b>	72 Fiber attachment box with all accessories October 4.3kg